

# KOMATSU

## PC170LC-11



Hydraulic excavator

**Engine power**  
90 kW / 121 HP @ 2100 rpm

**Operating weight**  
18300 - 21455 kg

**Bucket capacity**  
max. 0.94 m<sup>3</sup>

## PC170LC-11



Engine power

**90 kW / 121 HP @ 2100 rpm**

Operating weight

**18300 - 21455 kg**

Bucket capacity

**max. 0.94 m<sup>3</sup>**

# Increased productivity and environmental performance

## Powerful and environmentally friendly

- EU Stage V engine
- Long-life Komatsu diesel particulate filter (DPF)
- Adjustable idle shutdown
- Komatsu fuel-saving technology
- Engine fan clutch

## First-class comfort

- Fully air-suspended operator station
- Low-noise design
- Widescreen monitor

## Total versatility

- Komatsu Integrated Attachment Control (KIAC) (option)
- Dozer blades available in 2 blade widths (option)
- Enhanced engine management
- Lower hydraulic pressure loss
- Low ground pressure (LGP) undercarriage (option)

## Safety first

- Komatsu SpaceCab™
- KomVision surround view system
- LED lighting standard
- Neutral position detection system
- Safe access, easy maintenance

## Quality you can rely on

- Komatsu-quality components
- Extensive dealer support network

## Komtrax

- Komatsu Wireless Monitoring System
- 4G mobile communications
- Integrated communication antenna
- Operational data and reports



A maintenance program  
for Komatsu customers

# PC170LC-11

## A wide choice of options

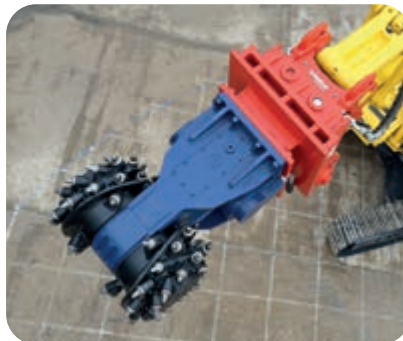
With a choice of arms and undercarriages, you can configure the PC170LC-11 to match specific demands for transport, working envelope or duty. Extra hydraulic arrangements are available for every boom and arm configuration, making sure that the machine always contributes strongly to your business.



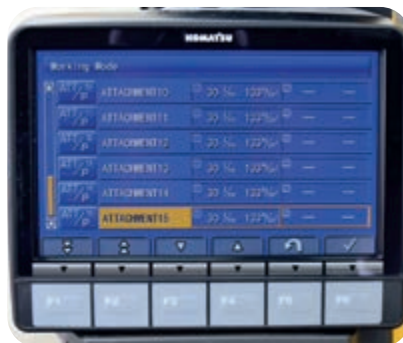
Two-piece boom

## 6 working modes

The PC170LC-11 delivers the power required with the lowest fuel usage. 6 working modes are available: Power, Lifting, Breaker, Economy, Attachment Power and Attachment Economy. The operator can ideally balance the Economy mode between power and economy to match the work at hand. The oil flow delivered to hydraulic attachments is also adjustable directly on the class-leading widescreen monitor panel.



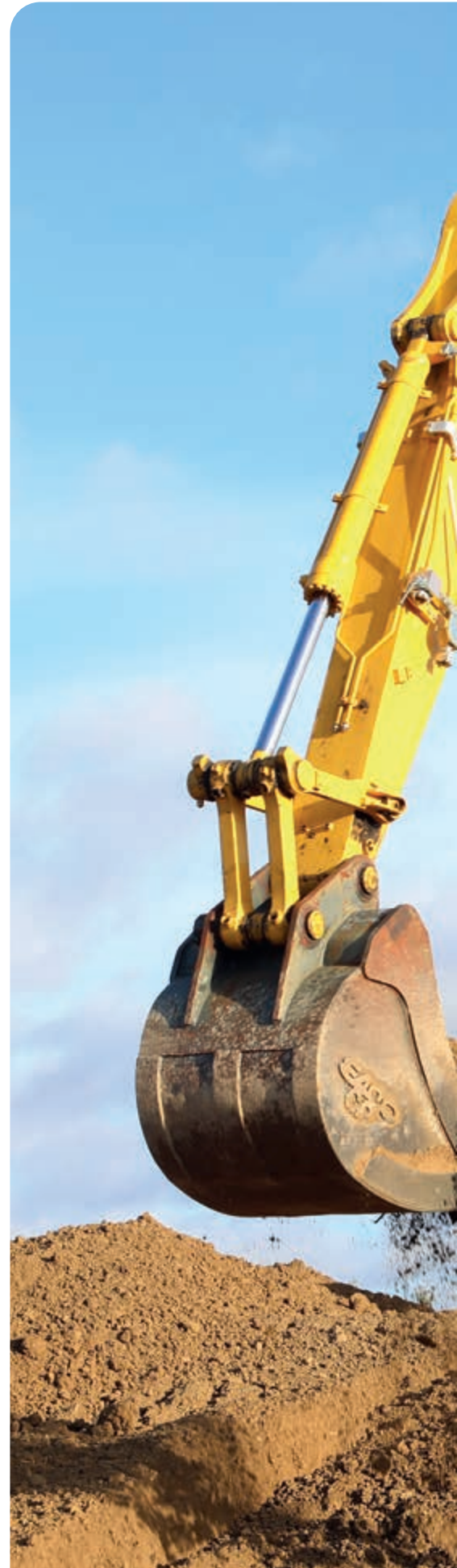
Two optional hydraulic lines to mount a variety of attachments



Komatsu Integrated Attachment Control (KIAC) for up to 15 tool presets for oil flow and pressure



Versatility at your fingertips: select the perfect setting for each job



## Total versatility

### Built-in versatility

Powerful and precise, the Komatsu PC170LC-11 is equipped to efficiently carry out any task your business requires. On all jobsites, big or small, for digging, trenching, landscaping or site preparation, the Komatsu hydraulic system always provides maximum productivity and control.





## Higher productivity

The PC170LC-11 is quick and precise. It features a powerful Komatsu EU Stage V engine, Komatsu's Closed Center Load Sensing (CLSS) hydraulic system and first-class Komatsu comfort to provide a fast response and unrivalled productivity for its class.

## Komatsu fuel-saving technology

Fuel consumption on the PC170LC-11 is lower by up to 3%. Engine management is enhanced. The variable speed matching of the engine and hydraulic pumps guarantee efficiency and precision during single and combined movements.

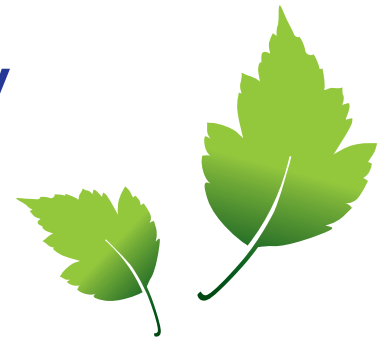
## Adjustable idle shutdown

The Komatsu auto idle shutdown automatically turns off the engine after it idles for a set period of time. This feature can easily be programmed from 5 to 60 minutes, to reduce unnecessary fuel consumption and exhaust emissions, and to lower operating costs. An Eco-gauge and the Eco guidance tips on the cab monitor further encourage efficient operations.

## Powerful and environmentally friendly

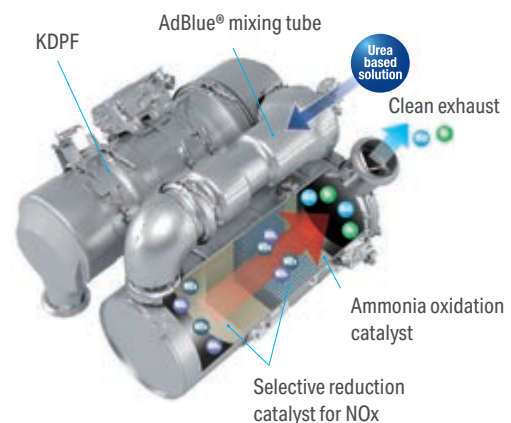
### Komatsu EU Stage V

The Komatsu EU Stage V engine is productive, dependable and efficient. With ultra-low emissions, it provides a lower environmental impact and a superior performance to help reduce operating costs and lets the operator work in complete peace of mind.



### Heavy-duty aftertreatment

The aftertreatment system combines a Komatsu Diesel Particulate Filter (KDPF) and Selective Catalytic Reduction (SCR). The SCR injects the correct amount of AdBlue® into the system at the proper rate to break down NOx into water (H<sub>2</sub>O) and non-toxic nitrogen gas (N<sub>2</sub>). NOx emissions are reduced by 80% vs. EU Stage IIIB engines.



### High-Pressure Common Rail (HPCR)

To achieve complete fuel burn and lower exhaust emissions, the heavy-duty High-Pressure Common Rail fuel injection system is computer controlled to deliver a precise quantity of pressurised fuel into the redesigned engine combustion chamber by multiple injections.



## First-class comfort

### Increased comfort

In the wide Komatsu SpaceCab™, a standard air-suspended high-back seat, heated for improved comfort and with fully adjustable armrests, is the centre of a comfortable and low-fatigue working environment. High visibility and ergonomic controls further assist to maximise the operator's productivity.

### Perfect operator convenience

In addition to the standard radio, the PC170LC-11 has an auxiliary input for connecting external devices and play music through the cab speakers. Two 12-volt power ports are also incorporated in the cab. Proportional controls are fitted as standard for safe and precise operation of attachments.

### Low-noise design

Komatsu crawler excavators have very low external noise levels and are especially well-suited for work in confined spaces or urban areas. The optimal usage of sound insulation and of sound absorbing materials helps to make noise levels inside the cab comparable to those of an executive car.



Convenient, ergonomic and precise control: joysticks with proportional control button for attachments



Plenty of storage room, a hot and cool box, a magazine box and a cup holder



Armrest with simple height adjustment





## Safety first

### Optimal jobsite safety

Safety features on the Komatsu PC170LC-11 comply with the latest industry standards and work in synergy to minimise risks to people in and around the machine. A neutral detection system for travel and work equipment levers increase jobsite safety, along with a seat belt caution indicator and an audible travel alarm. Highly durable anti-slip plates – with additional high friction covering – maintain long term traction performance.



### Safe maintenance

Thermal guards around high temperature areas of the engine, protected fan belt and pulleys, a pump/engine partition that prevents hydraulic oil from spraying onto the engine, a wide catwalk and exceptionally sturdy handrails: in Komatsu tradition, the highest safety level is provided for a fast and smooth maintenance.



### Komatsu SpaceCab™

The ROPS cab has a tubular steel frame and provides high shock absorbency, impact resistance and durability. The seat belt is well designed to keep the operator in the safety zone of the cab in the event of a rollover. Optionally the cab can be fitted with a Falling Object Protective System (FOPS) with openable front guard.



### KomVision

KomVision machine visibility gives the operator a constant clear view of the safety zone around the machine. This allows the operator to focus on the work at hand even in low light conditions. With KomVision, various camera view options are available whilst maintaining constant "bird's-eye view" from above the machine



## An evolutionary interface

Helpful information is now easier than ever to find and understand with the upgraded monitor interface. An optimal main screen for the ongoing work can be selected simply by pressing the F3 key.

## Lower operating costs

Komatsu ICT contributes to the reduction of operating costs by assisting to comfortably and efficiently manage operations. It raises the level of customer satisfaction and the competitive edge of our products.

## Widescreen monitor

Installed with a choice of 26 languages, the widescreen monitor with simple switches and multifunction keys gives fingertip access to a large range of functions and operating info.



Quick view on the operation logs



Fuel consumption history



ECO guidance record

## Information & communication technology



### Knowledge

You get quick answers to basic and critical questions about your machines – what they're doing, when they did it, where they're located, how they can be used more efficiently and when they need to be serviced. Performance data is relayed by wireless communication technology (satellite, GPRS or 4G depending on model) from the machine to a computer and to the local Komatsu distributor – who's readily available for expert analysis and feedback.

### Convenience

Komtrax enables convenient fleet management on the web, wherever you are. Data is analysed and packaged specifically for effortless and intuitive viewing in maps, lists, graphs and charts. You can foresee eventual maintenance issues and required spare parts, and troubleshoot a problem before Komatsu technicians arrive on site.



### The way to higher productivity

Komtrax uses the latest wireless monitoring technology. Compatible on PC, smartphone or tablet, it delivers insightful and cost saving information about your fleet and equipment, and offers a wealth of information to facilitate peak machine performance. By creating a tightly integrated web of support it allows proactive and preventive maintenance and helps to efficiently run a business.

### Power

The detailed information that Komtrax puts at your fingertips 24 hours a day, 7 days a week gives the power to make better daily and long-term strategic decisions – at no extra cost. Problems can be anticipated, maintenance schedules customised, downtime minimised and machines kept where they belong: working on the jobsite.



## Easy maintenance

### Central service points

Komatsu designed the PC170LC-11 with centralised and conveniently located service points to make necessary inspections and maintenance quick and easy.

### Komatsu Care

Komatsu Care is a maintenance program that comes as standard with your new Komatsu machine. It covers factory-scheduled maintenance, performed with Komatsu Genuine parts by Komatsu-trained technicians. Depending on your machine's engine, it also offers extended coverage of the Komatsu Diesel Particulate Filter (KDPF), and of the Selective Catalytic Reduction (SCR). Please contact your local Komatsu distributor for terms and conditions.

### Safe maintenance

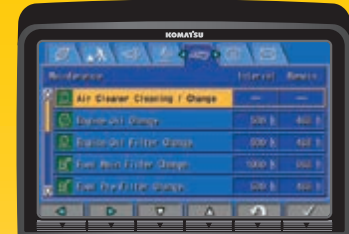
Thermal guards around high temperature areas of the engine, protected fan belt and pulleys, a pump/engine partition that prevents hydraulic oil from spraying onto the engine, and exceptionally sturdy handrails: in Komatsu tradition, the highest safety level is provided for fast and smooth maintenance.

### Long-life oil filters

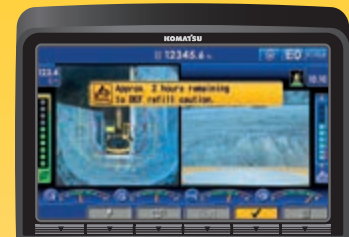
The Komatsu Genuine hydraulic oil filter uses high-performance filtering material for long replacement intervals, which significantly reduces maintenance costs.

### Flexible warranty

When you purchase Komatsu equipment, you gain access to a broad range of programmes and services that have been designed to help you get the most from your investment. For example, Komatsu's Flexible Warranty Programme provides a range of extended warranty options on the machine and its components. These can be chosen to meet your individual needs and activities. This programme is designed to help reduce total operating costs.



Basic maintenance screen



Aftertreatment device regeneration screen for the KDPF



For simple access, the AdBlue® tank is installed on the front stairway



## Quality you can rely on

### Komatsu-quality

With the latest computer techniques and a thorough test programme, Komatsu produces equipment to meet your highest standards. All major components of the PC170LC-11 are designed and directly manufactured by Komatsu, and essential machine functions are perfectly matched for a highly reliable and productive excavator.

### Rugged design

Maximum toughness and durability are the cornerstones of Komatsu's philosophy – along with safety and top class customer service. Single piece plates and castings are used in key areas of the machine's structure for good load distribution. Highly durable rubbing strips on the underside of the arm protect the structure against impact damage.

### Extensive support network

The extensive Komatsu distribution and dealer network is standing by to help keep your fleet in optimum condition. Customised servicing packages are available, with express availability of spare parts, to make sure that your Komatsu equipment continues to perform at its peak.



## Specifications

### Engine

Model	Komatsu SAA4D107E-5
Type	Common rail direct injection, water-cooled, emissionised, turbocharged, after-cooled diesel
Engine power	
at rated engine speed	2100 rpm
ISO 14396	90 kW / 121 HP
ISO 9249 (net engine power)	90 kW / 121 HP
No. of cylinders	4
Bore × stroke	107 × 124 mm
Displacement	4.46 l
Air filter type	Double element type with monitor panel dust indicator and auto dust evacuator
Cooling	Suction type cooling fan with radiator fly screen
Fuel	Diesel fuel, conforming to EN590 Class 2/Grade D. Paraffinic fuel capability (HVO, GTL, BTL), conforming to EN 15940:2016

### Hydraulic system

Type	HydrauMind. Closed-centre system with load sensing and pressure compensation valves
Additional circuits	2 additional circuits with proportional control can be installed
Main pump	1 variable displacement piston pump supplying boom, arm, bucket, swing and travel circuits
Maximum pump flow	298 l/min
Relief valve settings	
Implement	380 kg/cm <sup>2</sup>
Travel	380 kg/cm <sup>2</sup>
Swing	295 kg/cm <sup>2</sup>
Pilot circuit	33 kg/cm <sup>2</sup>

### Service refill capacities

Fuel tank	300 l
Radiator	22 l
Engine oil	18 l
Swing drive	4.5 l
Hydraulic tank	121 l
Final drive (each side)	5.4 l
AdBlue® tank	39 l

## PC170LC-11E0

### Swing system

Type	Axial piston motor driving through planetary double reduction gearbox
Swing lock	Electrically actuated wet multidisc brake integrated into swing motor
Swing speed	0 - 12 rpm
Swing torque	42.5 kNm

### Drives and brakes

Steering control	2 levers with pedals giving full independent control of each track
Drive method	Hydrostatic
Travel operation	Automatic 2-speed selection
Gradeability	70%, 35°
Max. travel speeds	
Lo / Hi	3.0 / 5.5 km/h
Maximum drawbar pull	15400 kg
Brake system	Hydraulically operated discs in each travel motor

### Undercarriage

Construction	X-frame centre section with box section track frames
Track assembly	
Type	Fully sealed
Shoes (each side)	44 (LGP: 51)
Tension	Combined spring and hydraulic unit
Rollers	
Track rollers (each side)	7 (LGP: 10)
Carrier rollers (each side)	2

### Environment

Engine emissions	Fully complies with EU Stage V exhaust emission regulations
Noise levels	
LwA external	99 dB(A) (2000/14/EC Stage II)
LpA operator ear	68 dB(A) (ISO 6396 dynamic test)
Vibration levels (EN 12096:1997)	
Hand/arm	≤ 2.5 m/s <sup>2</sup> (uncertainty K = 0.38 m/s <sup>2</sup> )
Body	≤ 0.5 m/s <sup>2</sup> (uncertainty K = 0.16 m/s <sup>2</sup> )
Contains fluorinated greenhouse gas HFC-134a (GWP 1430).	
Quantity of gas 0.9 kg; CO <sub>2</sub> equivalent 1.29 t	

## Operating weight (appr.)

Triple grouser shoes	Mono boom		Two-piece boom	
	Operating weight	Ground pressure	Operating weight	Ground pressure
500 mm (with 2490 mm dozer blade)	18300 (19970) kg	0.53 (0.58) kg/cm <sup>2</sup>	19030 (20700) kg	0.55 (0.60) kg/cm <sup>2</sup>
600 mm	18520 kg	0.44 kg/cm <sup>2</sup>	19250 kg	0.46 kg/cm <sup>2</sup>
700 mm	18785 kg	0.39 kg/cm <sup>2</sup>	19515 kg	0.40 kg/cm <sup>2</sup>
800 mm (with 2795 mm dozer blade)	19005 (20725) kg	0.34 (0.37) kg/cm <sup>2</sup>	19735 (21455) kg	0.36 (0.39) kg/cm <sup>2</sup>

Operating weight, including specified work equipment, 2.6 m arm, standard counterweight, 495 kg bucket, operator, lubricant, coolant, full fuel tank and the standard equipment.

## Max. bucket capacity and weight

Arm length	Mono boom					
	2.25 m		2.6 m		2.9 m	
Material weight up to 1.2 t/m <sup>3</sup>	0.94 m <sup>3</sup>	615 kg	0.94 m <sup>3</sup>	615 kg	0.75 m <sup>3</sup>	530 kg
Material weight up to 1.5 t/m <sup>3</sup>	0.75 m <sup>3</sup>	530 kg	0.75 m <sup>3</sup>	530 kg	0.75 m <sup>3</sup>	530 kg
Material weight up to 1.8 t/m <sup>3</sup>	0.66 m <sup>3</sup>	495 kg	0.66 m <sup>3</sup>	495 kg	0.66 m <sup>3</sup>	495 kg

## Max. bucket capacity and weight

Arm length	Two-piece boom					
	2.25 m		2.6 m		2.9 m	
Material weight up to 1.2 t/m <sup>3</sup>	0.94 m <sup>3</sup>	615 kg	0.94 m <sup>3</sup>	615 kg	0.75 m <sup>3</sup>	530 kg
Material weight up to 1.5 t/m <sup>3</sup>	0.75 m <sup>3</sup>	530 kg	0.75 m <sup>3</sup>	530 kg	0.75 m <sup>3</sup>	530 kg
Material weight up to 1.8 t/m <sup>3</sup>	0.66 m <sup>3</sup>	495 kg	0.66 m <sup>3</sup>	495 kg	0.66 m <sup>3</sup>	495 kg

Max. capacity and weight have been calculated according to ISO 10567:2007.

Please consult with your distributor for the correct selection of buckets and attachments to suit the application.

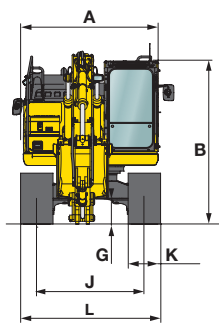
## Bucket and arm force

Arm length	2.25 m	2.6 m	2.9 m
Bucket digging force	11500 kg	11500 kg	11500 kg
Bucket digging force at PowerMax	12500 kg	12500 kg	12500 kg
Arm crowd force	9050 kg	8200 kg	7550 kg
Arm crowd force at PowerMax	9700 kg	8800 kg	8100 kg

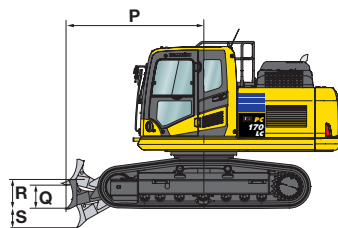
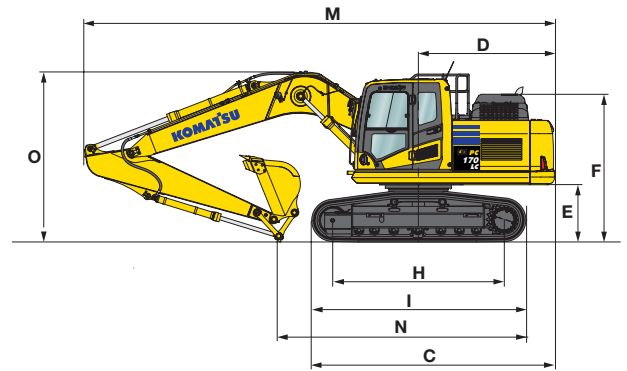
# Dimensions and performance figures

## Machine dimensions

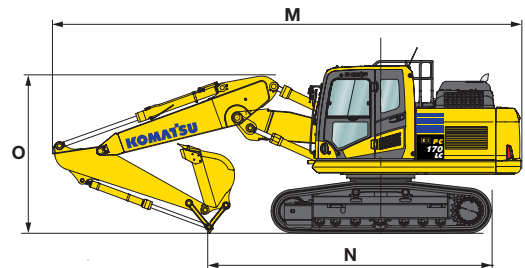
A	Overall width of upper structure	2490 mm
B	Overall height (top of cab)	3035 mm
C	Overall length of basic machine	4495 mm
D	Tail length	2515 mm
	Tail swing radius	2545 mm
E	Clearance under counterweight	1055 mm
F	Machine tail height	2710 mm
G	Ground clearance	440 mm
H	Tumbler centre distance	3170 mm
I	Track length	3965 mm
J	Track gauge	1990 mm
K	Track shoe width	500, 600, 700, 800 mm
L	Overall track width with 500 mm shoes	2490 mm
	Overall track width with 600 mm shoes	2590 mm
	Overall track width with 700 mm shoes	2690 mm
	Overall track width with 800 mm shoes	2790 mm
P	Distance, swing center to blade	2735 mm
Q	Height of blade	585 mm
R	Blade, max. lifting height	510 mm
S	Blade, max. digging depth	635 mm
	Blade width	2490, 2795 mm



### Mono boom



### Two-piece boom



## Transport dimensions

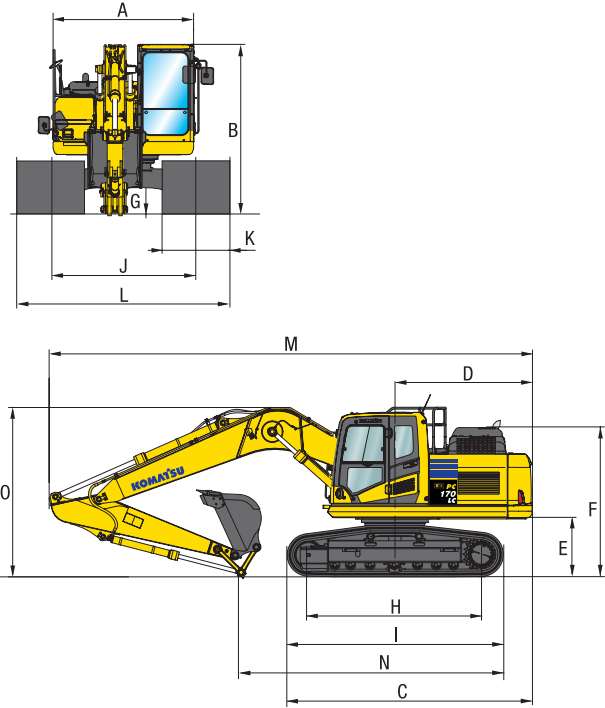
	Mono boom			Two-piece boom		
Arm length	2.25 m	2.6 m	2.9 m	2.25 m	2.6 m	2.9 m
M Transport length	8690 mm	8690 mm	8690 mm	8620 mm	8620 mm	8610 mm
N Length on ground (transport)	5130 mm	4760 mm	4565 mm	5180 mm	4825 mm	4660 mm
O Overall height (to top of boom)	3030 mm	3040 mm	3140 mm	3090 mm	3110 mm	3170 mm



## Low Ground Pressure specification

### Machine dimensions

A	Overall width of upper structure	2590 mm
B	Overall height (top of cab)	3085 mm
C	Overall length of basic machine	4835 mm
D	Tail length	2515 mm
	Tail swing radius	2545 mm
E	Clearance under counterweight	1100 mm
F	Machine tail height	2710 mm
G	Ground clearance	440 mm
H	Tumbler centre distance	3845 mm
I	Track length	4640 mm
J	Track gauge	2580 mm
K	Track shoe width	1400 mm
L	Overall track width with 500 mm shoes	3980 mm



### Transport dimensions

	Mono boom			Two-piece boom		
	2.25 m	2.6 m	2.9 m	2.25 m	2.6 m	2.9 m
M Transport length	8690 mm	8690 mm	8690 mm	8620 mm	8620 mm	8610 mm
N Length on ground (transport)	5470 mm	5100 mm	4900 mm	5520 mm	5160 mm	5000 mm
O Overall height (to top of boom)	3020 mm	3030 mm	3130 mm	3090 mm	3110 mm	3170 mm

### Operating weight (appr.)

	Mono boom		Two-piece boom	
	Operating weight	Ground pressure	Operating weight	Ground pressure
Triple grouser shoes				
1400 mm	23100 kg	0.20 kg/cm <sup>2</sup>	23830 kg	0.21 kg/cm <sup>2</sup>

Operating weight, including mono boom, 2.6 m arm, 495 kg bucket, operator, lubricant, coolant, full fuel tank and the standard equipment.

### Max. bucket capacity and weight (Mono boom & Two-piece boom)

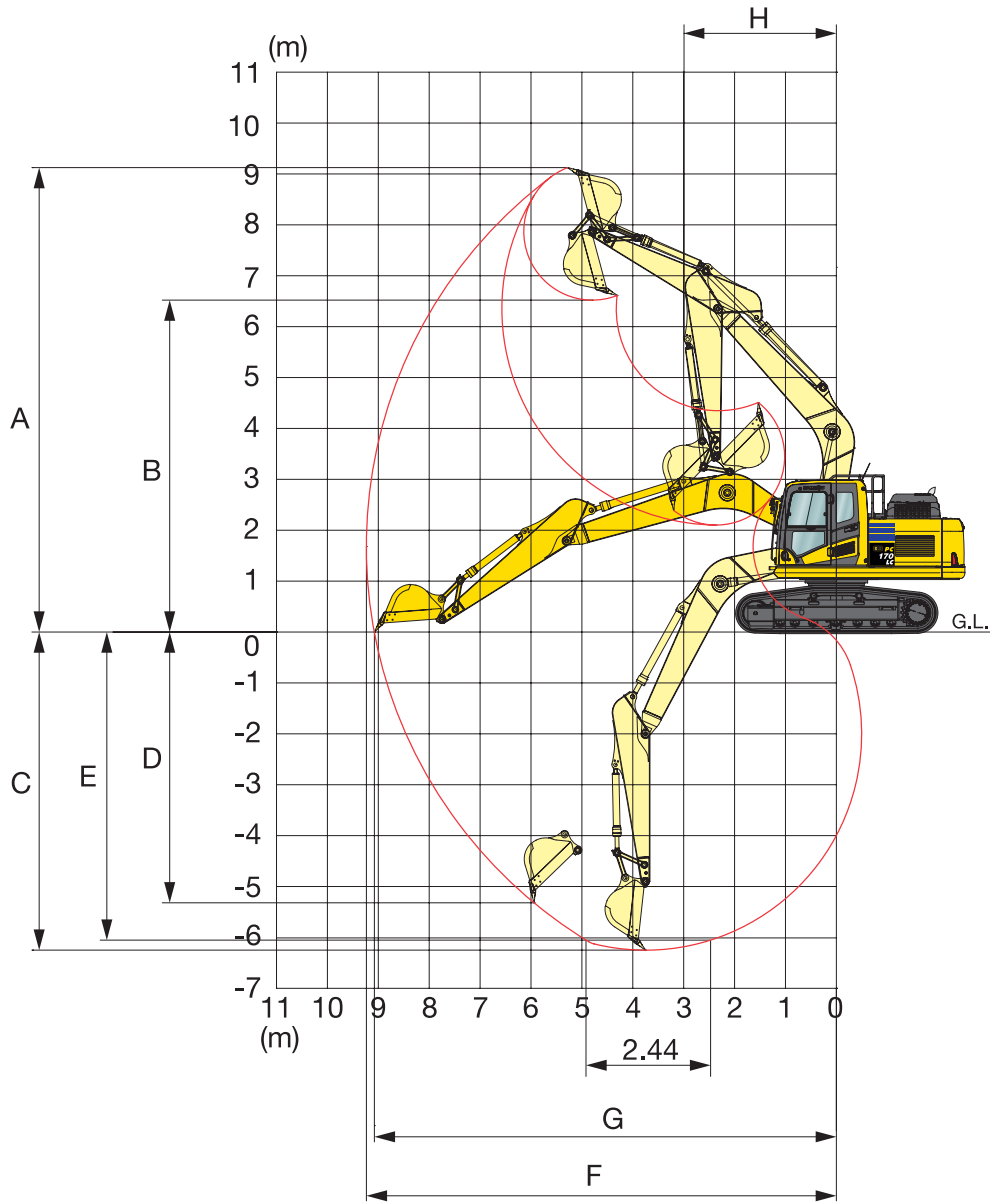
Arm length	2.25 m		2.6 m		2.9 m	
Material weight up to 1.2 t/m <sup>3</sup>	0.94 m <sup>3</sup>	615 kg	0.94 m <sup>3</sup>	615 kg	0.94 m <sup>3</sup>	615 kg
Material weight up to 1.5 t/m <sup>3</sup>	0.75 m <sup>3</sup>	530 kg	0.75 m <sup>3</sup>	530 kg	0.75 m <sup>3</sup>	530 kg
Material weight up to 1.8 t/m <sup>3</sup>	0.60 m <sup>3</sup>	495 kg	0.60 m <sup>3</sup>	495 kg	0.60 m <sup>3</sup>	495 kg

Max. capacity and weight have been calculated according to ISO 10567:2007.

Please consult with your distributor for the correct selection of buckets and attachments to suit the application.

# Working range

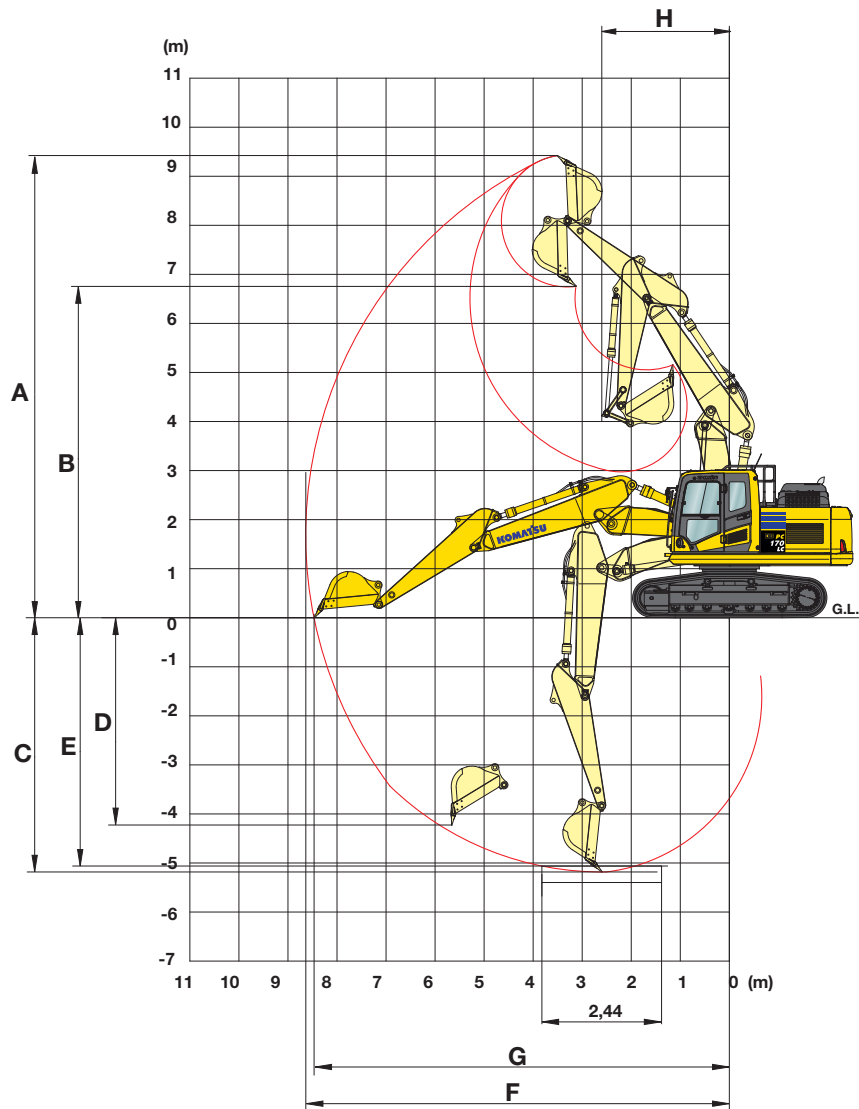
## Mono boom



### Working range

Arm length	2.25 m	2.6 m	2.9 m
A Max. digging height	8910 mm	8980 mm	9130 mm
B Max. dumping height	6280 mm	6370 mm	6525 mm
C Max. digging depth	5610 mm	5960 mm	6250 mm
D Max. vertical wall digging depth	4860 mm	5040 mm	5320 mm
E Max. digging depth of cut for 2.44 m level	5375 mm	5740 mm	6050 mm
F Max. digging reach	8680 mm	8960 mm	9235 mm
G Max. digging reach at ground level	8510 mm	8800 mm	9075 mm
H Min. swing radius	3040 mm	2990 mm	2995 mm

## Two-piece boom



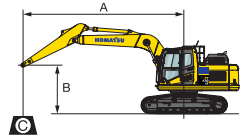
### Working range

Arm length	2.25 m	2.6 m	2.9 m
A Max. digging height	9425 mm	9580 mm	9750 mm
B Max. dumping height	6755 mm	6910 mm	7120 mm
C Max. digging depth	5185 mm	5515 mm	5800 mm
D Max. vertical wall digging depth	4230 mm	4530 mm	4145 mm
E Max. digging depth of cut for 2.44 m level	5065 mm	5400 mm	5690 mm
F Max. digging reach	8640 mm	8930 mm	9195 mm
G Max. digging reach at ground level	8470 mm	8770 mm	9035 mm
H Min. swing radius	2600 mm	2600 mm	2605 mm

# Lifting capacity

## Mono boom

Arm length	A	7.5 m		6.0 m		4.5 m		3.0 m		1.5 m	
		Rating over front	Rating over side	Rating over front	Rating over side	Rating over front	Rating over side	Rating over front	Rating over side	Rating over front	Rating over side



- A – Reach from swing center
- B – Bucket hook height
- C – Lifting capacities, including bucket linkage and bucket cylinder: 237 kg

Standard counterweight 500 mm shoes W/o blade			2250 mm											
			7.5 m	6.0 m	4.5 m	3.0 m	1.5 m	7.5 m	6.0 m	4.5 m	3.0 m	1.5 m		
	7.5 m	kg	*4150	*4150										
	6.0 m	kg	*3550	*3550										
	4.5 m	kg	*3400	2900	*5200	3500	*5850	5400						
	3.0 m	kg	*3450	2550	5200	3350	*7100	5050						
	1.5 m	kg	*3700	2450	5000	3200	7750	4750						
	0.0 m	kg	3850	2500	4900	3100	7500	4550						
	-1.5 m	kg	4300	2750	4900	3100	7450	4500	*11400	8250				
	-3.0 m	kg	*5450	3450			*7250	4600	*10050	8450				
	-4.5 m	kg												
	7.5 m	kg	*3400	*3400										
	6.0 m	kg	*3000	*3000	*3950	3600								
	4.5 m	kg	*2900	2750	*4950	3550	*5500	*5500						
	3.0 m	kg	*3000	2450	*3000	2450	5250	3400	*6750	5150	*10250	9400		
	1.5 m	kg	*3200	2350	3650	2400	5050	3250	7800	4800				
	0.0 m	kg	*3600	2350			4950	3150	7550	4600	*6950	*6950		
	-1.5 m	kg	4000	2600			4900	3100	7500	4550	*11100	8250	*6500	*6500
	-3.0 m	kg	4950	3150					7550	4550	*10800	8350	*10950	*10950
	-4.5 m	kg	*5050	5050							*7300	*7300		
	7.5 m	kg	*2900	*2900										
	6.0 m	kg	*2600	*2600	*4100	3650								
	4.5 m	kg	*2550	*2550	*4650	3600								
	3.0 m	kg	*2600	2300	3700	2450	*5200	3450	*6350	5200	*9250	*9250		
	1.5 m	kg	*2750	2200	3650	2350	5050	3250	*7700	4800	*7400	*7400		
	0.0 m	kg	*3050	2200	3550	2300	4900	3100	7550	4550	*7400	*7400		
	-1.5 m	kg	*3700	2400			4850	3050	7400	4450	*10500	8100	*6050	*6050
	-3.0 m	kg	4450	2850			4850	3050	7450	4500	*11350	8200	*9750	*9750
	-4.5 m	kg	*5050	4200					*6750	4650	*8350	*8350		

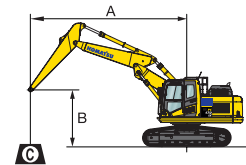
- Rating over front
- Rating over side
- Rating at maximum reach

Heavy counterweight 500 mm shoes W/o blade			2250 mm											
			7.5 m	6.0 m	4.5 m	3.0 m	1.5 m	7.5 m	6.0 m	4.5 m	3.0 m	1.5 m		
	7.5 m	kg	*4150	*4150										
	6.0 m	kg	*3550	*3550										
	4.5 m	kg	*3400	3100	*5200	3750	*5850	5750						
	3.0 m	kg	*3450	2750	5500	3600	*7100	5450						
	1.5 m	kg	*3700	2650	5350	3450	8200	5100						
	0.0 m	kg	4100	2700	5250	3350	8000	4900						
	-1.5 m	kg	4550	3000	5200	3350	7950	4900	*11400	8900				
	-3.0 m	kg	*5450	3750			*7250	4950	*10050	9050				
	-4.5 m	kg												
	7.5 m	kg	*3400	*3400										
	6.0 m	kg	*3000	*3000	*3950	3850								
	4.5 m	kg	*2900	*2900	*4950	3800	*5500	*5500						
	3.0 m	kg	*3000	2650	*3000	2650	*5450	3650	*6750	5500	*10250	10000		
	1.5 m	kg	*3200	2500	3900	2600	5400	3500	*8050	5150				
	0.0 m	kg	*3600	2550	5250	3400	8050	4950	*6950	*6950				
	-1.5 m	kg	4300	2800	5200	3350	7950	4900	*11100	8850	*6500	*6500		
	-3.0 m	kg	5300	3400			*7700	4950	*10800	9000	*10950	*10950		
	-4.5 m	kg	*5050	*5050					*7300	*7300				
	7.5 m	kg	*2900	*2900										
	6.0 m	kg	*2600	*2600	*4100	3900								
	4.5 m	kg	*2550	*2550	*4650	3850								
	3.0 m	kg	*2600	2450	*3950	2650	*5200	3650	*6350	5550	*9250	*9250		
	1.5 m	kg	*2750	2350	3900	2550	5400	3500	*7700	5200	*7400	*7400		
	0.0 m	kg	*3050	2400	3800	2500	5200	3350	8000	4900	*7400	*7400		
	-1.5 m	kg	*3700	2600	5150	3300	7900	4800	*10500	8750	*6050	*6050		
	-3.0 m	kg	4750	3100	5150	3300	7900	4850	*11350	8850	*9750	*9750		
	-4.5 m	kg	*5050	4500			*6750	5000	*8350	*8350				

\* Load is limited by hydraulic capacity rather than tipping.  
 Ratings are based on SAE Standard No. J1097.  
 Rated loads do not exceed 87% of hydraulic lift capacity or 75% of tipping load.  
 When lifting with additional equipment installed to the arm, please subtract the weight of all additional equipment from the values stated.

## Two-piece boom

Arm length	A	7.5 m		6.0 m		4.5 m		3.0 m		1.5 m	
		Rating over front	Rating over side	Rating over front	Rating over side	Rating over front	Rating over side	Rating over front	Rating over side	Rating over front	Rating over side



- A – Reach from swing center
- B – Bucket hook height
- C – Lifting capacities, including bucket linkage and bucket cylinder: 237 kg

- Rating over front
- Rating over side
- Rating at maximum reach

Standard counterweight 500 mm shoes W/o blade			2250 mm		2600 mm		2900 mm	
			Rating over front	Rating over side	Rating over front	Rating over side	Rating over front	Rating over side
	7.5 m	kg	*4250	*4250				
	6.0 m	kg	*3600	*3600			*6350	5600
	4.5 m	kg	*3450	2850			5350	3450
	3.0 m	kg	*3450	2500			5150	3300
	1.5 m	kg	*3650	2400			5000	3150
	0.0 m	kg	3850	2450			4850	3050
	-1.5 m	kg	4300	2700			4850	3000
	-3.0 m	kg					7400	4400
	-4.5 m	kg					*10300	8050
	7.5 m	kg	*3450	*3450				
	6.0 m	kg	*3050	*3050			*3850	3550
	4.5 m	kg	*2950	2700			5400	3500
3.0 m	kg	*2950	2400			5250	3350	
1.5 m	kg	*3150	2300	3600	2300	5050	3200	
0.0 m	kg	*3550	2300			4900	3050	
-1.5 m	kg	4050	2550			4850	3000	
-3.0 m	kg					7400	4400	
-4.5 m	kg					*6200	4450	
7.5 m	kg	*2950	*2950					
6.0 m	kg	*2650	*2650			*4100	3600	
4.5 m	kg	*2550	2500			*5150	3550	
3.0 m	kg	*2550	2250	3700	2400	5250	3400	
1.5 m	kg	*2700	2100	3600	2300	5050	3200	
0.0 m	kg	*3000	2150	3550	2250	4850	3000	
-1.5 m	kg	*3550	2350			4800	2950	
-3.0 m	kg	*4000	2800			*4700	3000	
-4.5 m	kg					*6900	4350	

Heavy counterweight 500 mm shoes W/o blade			2250 mm		2600 mm		2900 mm	
			Rating over front	Rating over side	Rating over front	Rating over side	Rating over front	Rating over side
	7.5 m	kg	*4250	*4250				
	6.0 m	kg	*3600	*3600			*6350	5950
	4.5 m	kg	*3450	3050			5650	3700
	3.0 m	kg	*3450	2700			5450	3550
	1.5 m	kg	*3650	2550			5300	3350
	0.0 m	kg	*4100	2650			5150	3250
	-1.5 m	kg	4600	2900			5150	3250
	-3.0 m	kg					7850	4750
	-4.5 m	kg					*10300	8650
	7.5 m	kg	*3450	*3450				
	6.0 m	kg	*3050	*3050			*3850	3800
	4.5 m	kg	*2950	2900			*5700	3750
3.0 m	kg	*2950	2600			5550	3600	
1.5 m	kg	*3150	2450	*3750	2500	5350	3450	
0.0 m	kg	*3550	2500			5200	3300	
-1.5 m	kg	*4250	2750			5150	3250	
-3.0 m	kg					7900	4750	
-4.5 m	kg					*6200	4850	
7.5 m	kg	*2950	*2950					
6.0 m	kg	*2650	*2650			*4100	3850	
4.5 m	kg	*2550	*2550			*5150	3800	
3.0 m	kg	*2550	2400	*3850	2550	5600	3650	
1.5 m	kg	*2700	2300	3850	2500	5350	3450	
0.0 m	kg	*3000	2350	3800	2400	5200	3250	
-1.5 m	kg	*3550	2550			5100	3200	
-3.0 m	kg	*4000	3050			*4700	3250	
-4.5 m	kg					*6900	4750	

\* Load is limited by hydraulic capacity rather than tipping.

Ratings are based on SAE Standard No. J1097.

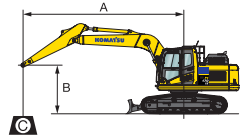
Rated loads do not exceed 87% of hydraulic lift capacity or 75% of tipping load.

When lifting with additional equipment installed to the arm, please subtract the weight of all additional equipment from the values stated.

# Lifting capacity

## Mono boom

Arm length	A	7.5 m		6.0 m		4.5 m		3.0 m		1.5 m	



- A – Reach from swing center
- B – Bucket hook height
- C – Lifting capacities, including bucket linkage and bucket cylinder: 237 kg

Standard counterweight 500 mm shoes With blade down			2250 mm																	
			7.5 m	6.0 m	4.5 m	3.0 m	1.5 m	7.5 m	6.0 m	4.5 m	3.0 m	1.5 m								
	7.5 m	kg	*4150	*4150																
	6.0 m	kg	*3550	*3550																
	4.5 m	kg	*3400	3150		*5200	3800	*5850	5800											
	3.0 m	kg	*3450	2800		*5650	3650	*7100	5450											
	1.5 m	kg	*3700	2650		*6200	3500	*8300	5150											
	0.0 m	kg	*4150	2700		*6500	3400	*8800	4950											
	-1.5 m	kg	*5100	3000		*6250	3350	*8500	4900	*11400	8950									
	-3.0 m	kg	*5450	3750				*7250	5000	*10050	9100									
	-4.5 m	kg																		
	7.5 m	kg	*3400	*3400																
	6.0 m	kg	*3000	*3000		*3950	3900													
	4.5 m	kg	*2900	*2900		*4950	3850	*5500	*5500											
	3.0 m	kg	*3000	2650	*3000	2650	*5450	3700	*6750	5550	*10250	10100								
	1.5 m	kg	*3200	2550	*4050	2600	*6050	3550	*8050	5200										
	0.0 m	kg	*3600	2600			*6450	3400	*8750	5000	*6950	*6950								
	-1.5 m	kg	*4400	2800			*6400	3350	*8650	4900	*11100	8950	*6500	*6500						
	-3.0 m	kg	*5450	3450					*7700	4950	*10800	9050	*10950	*10950						
	-4.5 m	kg	*5050	*5050							*7300	*7300								
	7.5 m	kg	*2900	*2900																
	6.0 m	kg	*2600	*2600		*4100	3900													
	4.5 m	kg	*2550	*2550		*4650	3850													
	3.0 m	kg	*2600	2500	*3950	2650	*5200	3700	*6350	5600	*9250	*9250								
	1.5 m	kg	*2750	2350	*4850	2600	*5850	3500	*7700	5200	*7400	*7400								
	0.0 m	kg	*3050	2400	*4700	2500	*6300	3400	*8550	4950	*7400	*7400								
	-1.5 m	kg	*3700	2600			*6400	3300	*8650	4850	*10500	8800	*6050	*6050						
	-3.0 m	kg	*5000	3100			*5750	3350	*7950	4850	*11350	8900	*9750	*9750						
	-4.5 m	kg	*5050	4550					*6750	5050	*8350	*8350								

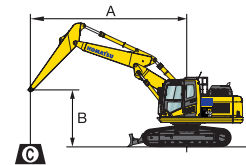
- Rating over front
- Rating over side
- Rating at maximum reach

Heavy counterweight 500 mm shoes With blade down			2250 mm																	
			7.5 m	6.0 m	4.5 m	3.0 m	1.5 m	7.5 m	6.0 m	4.5 m	3.0 m	1.5 m								
	7.5 m	kg	*4150	*4150																
	6.0 m	kg	*3550	*3550																
	4.5 m	kg	*3400	3350		*5200	4000	*5850	*5850											
	3.0 m	kg	*3450	3000		*5650	3900	*7100	5800											
	1.5 m	kg	*3700	2850		*6200	3750	*8300	5500											
	0.0 m	kg	*4150	2900		*6500	3650	*8800	5300											
	-1.5 m	kg	*5100	3200		*6250	3600	*8500	5250	*11400	9600									
	-3.0 m	kg	*5450	4050				*7250	5350	*10050	9750									
	-4.5 m	kg																		
	7.5 m	kg	*3400	*3400																
	6.0 m	kg	*3000	*3000		*3950	*3950													
	4.5 m	kg	*2900	*2900		*4950	4100	*5500	*5500											
	3.0 m	kg	*3000	2850	*3000	2850	*5450	3950	*6750	5900	*10250	*10250								
	1.5 m	kg	*3200	2750	*4050	2800	*6050	3800	*8050	5550										
	0.0 m	kg	*3600	2800			*6450	3650	*8750	5350	*6950	*6950								
	-1.5 m	kg	*4400	3050			*6400	3600	*8650	5300	*11100	9550	*6500	*6500						
	-3.0 m	kg	*5450	3700					*7700	5300	*10800	9700	*10950	*10950						
	-4.5 m	kg	*5050	*5050							*7300	*7300								
	7.5 m	kg	*2900	*2900																
	6.0 m	kg	*2600	*2600		*4100	*4100													
	4.5 m	kg	*2550	*2550		*4650	4100													
	3.0 m	kg	*2600	*2600	*3950	2850	*5200	3950	*6350	5950	*9250	*9250								
	1.5 m	kg	*2750	2550	*4850	2750	*5850	3750	*7700	5550	*7400	*7400								
	0.0 m	kg	*3050	2600	*4700	2700	*6300	3650	*8550	5300	*7400	*7400								
	-1.5 m	kg	*3700	2800			*6400	3550	*8650	5200	*10500	9450	*6050	*6050						
	-3.0 m	kg	*5000	3350			*5750	3600	*7950	5250	*11350	9550	*9750	*9750						
	-4.5 m	kg	*5050	4850					*6750	5400	*8350	*8350								

\* Load is limited by hydraulic capacity rather than tipping.  
 Ratings are based on SAE Standard No. J1097.  
 Rated loads do not exceed 87% of hydraulic lift capacity or 75% of tipping load.  
 When lifting with additional equipment installed to the arm, please subtract the weight of all additional equipment from the values stated.

## Two-piece boom

Arm length	A	7.5 m		6.0 m		4.5 m		3.0 m		1.5 m	



- A – Reach from swing center
- B – Bucket hook height
- C – Lifting capacities, including bucket linkage and bucket cylinder: 237 kg

- Rating over front
- Rating over side
- Rating at maximum reach

Standard counterweight 500 mm shoes With blade down			2250 mm		2600 mm		2900 mm	
			kg	kg	kg	kg	kg	kg
	7.5 m	kg	*4250	*4250				
	6.0 m	kg	*3600	*3600			*6350	6000
	4.5 m	kg	*3450	3100			*6300	3700
	3.0 m	kg	*3450	2750			*7750	3600
	1.5 m	kg	*3650	2600			*7900	3400
	0.0 m	kg	*4100	2650			*7500	3300
	-1.5 m	kg	*4950	2950			*6100	3300
	-3.0 m	kg					*8450	4800
	-4.5 m	kg					*10300	8750
	7.5 m	kg	*3450	*3450				
	6.0 m	kg	*3050	*3050			*3850	3850
	4.5 m	kg	*2950	*2950			*5700	3800
	3.0 m	kg	*2950	2600			*7600	3650
	1.5 m	kg	*3150	2500			*7900	3450
	0.0 m	kg	*3550	2550			*7650	3350
	-1.5 m	kg	*4250	2800			*9000	4800
	-3.0 m	kg					*6200	4850
	-4.5 m	kg						
	7.5 m	kg	*2950	*2950				
	6.0 m	kg	*2650	*2650			*4100	3900
	4.5 m	kg	*2550	*2550			*5150	3800
	3.0 m	kg	*2550	2450			*6700	3650
	1.5 m	kg	*2700	2300			*7800	3450
	0.0 m	kg	*3000	2350			*7700	3300
	-1.5 m	kg	*3550	2550			*6850	3200
	-3.0 m	kg	*4000	3050			*4700	3250
	-4.5 m	kg					*6900	4750

Heavy counterweight 500 mm shoes With blade down			2250 mm		2600 mm		2900 mm	
			kg	kg	kg	kg	kg	kg
	7.5 m	kg	*4250	*4250				
	6.0 m	kg	*3600	*3600			*6350	*6350
	4.5 m	kg	*3450	3300			*6300	3950
	3.0 m	kg	*3450	2950			*7750	3850
	1.5 m	kg	*3650	2800			*7900	3650
	0.0 m	kg	*4100	2850			*7500	3550
	-1.5 m	kg	*4950	3200			*6100	3550
	-3.0 m	kg					*8450	5150
	-4.5 m	kg					*10300	9400
	7.5 m	kg	*3450	*3450				
	6.0 m	kg	*3050	*3050			*3850	*3850
	4.5 m	kg	*2950	*2950			*5700	4050
	3.0 m	kg	*2950	2800			*7600	3900
	1.5 m	kg	*3150	2700			*7900	3700
	0.0 m	kg	*3550	2750			*7650	3600
	-1.5 m	kg	*4250	3000			*9000	5150
	-3.0 m	kg					*6200	5200
	-4.5 m	kg						
	7.5 m	kg	*2950	*2950				
	6.0 m	kg	*2650	*2650			*4100	*4100
	4.5 m	kg	*2550	*2550			*5150	4050
	3.0 m	kg	*2550	*2550			*6700	3900
	1.5 m	kg	*2700	2500			*7800	3700
	0.0 m	kg	*3000	2550			*7700	3550
	-1.5 m	kg	*3550	2750			*6850	3450
	-3.0 m	kg	*4000	3300			*4700	3500
	-4.5 m	kg					*6900	5100

\* Load is limited by hydraulic capacity rather than tipping.

Ratings are based on SAE Standard No. J1097.

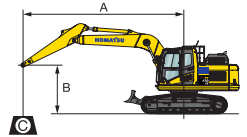
Rated loads do not exceed 87% of hydraulic lift capacity or 75% of tipping load.

When lifting with additional equipment installed to the arm, please subtract the weight of all additional equipment from the values stated.

# Lifting capacity

## Mono boom

Arm length	A	7.5 m		6.0 m		4.5 m		3.0 m		1.5 m	



- A – Reach from swing center
- B – Bucket hook height
- C – Lifting capacities, including bucket linkage and bucket cylinder: 237 kg

- Rating over front
- Rating over side
- Rating at maximum reach

Standard counterweight 500 mm shoes With blade up			2250 mm																
			7.5 m	6.0 m	4.5 m	3.0 m	1.5 m	-1.5 m	-3.0 m	-4.5 m	7.5 m	6.0 m	4.5 m	3.0 m	1.5 m	-1.5 m	-3.0 m	-4.5 m	
	2250 mm	7.5 m	kg	*4150	*4150														
		6.0 m	kg	*3550	*3550														
		4.5 m	kg	*3400	3150	*5200	3800	*5850	5800										
		3.0 m	kg	*3450	2800		5350	3650	*7100	5450									
		1.5 m	kg	*3700	2650		5200	3500	8000	5150									
		0.0 m	kg	4000	2700		5050	3400	7750	4950									
	2600 mm	-1.5 m	kg	4450	3000		5050	3350	7700	4900	*11400	8950							
		-3.0 m	kg	*5450	3750				*7250	5000	*10050	9100							
		-4.5 m	kg																
		7.5 m	kg	*3400	*3400														
		6.0 m	kg	*3000	*3000		*3950	3900											
		4.5 m	kg	*2900	*2900		*4950	3850	*5500	*5500									
	2900 mm	3.0 m	kg	*3000	2650	*3000	2650	5400	3700	*6750	5550	*10250	10100						
		1.5 m	kg	*3200	2550	3800	2600	5250	3550	*8050	5200								
		0.0 m	kg	*3600	2600			5100	3400	7800	5000	*6950	*6950						
		-1.5 m	kg	4150	2800			5050	3350	7750	4900	*11100	8950	*6500	*6500				
		-3.0 m	kg	5150	3450					*7700	4950	*10800	9050	*10950	*10950				
		-4.5 m	kg	*5050	*5050							*7300	*7300						

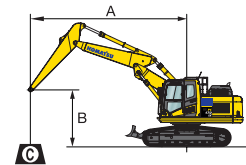
Heavy counterweight 500 mm shoes With blade up			2250 mm																
			7.5 m	6.0 m	4.5 m	3.0 m	1.5 m	-1.5 m	-3.0 m	-4.5 m	7.5 m	6.0 m	4.5 m	3.0 m	1.5 m	-1.5 m	-3.0 m	-4.5 m	
	2250 mm	7.5 m	kg	*4150	*4150														
		6.0 m	kg	*3550	*3550														
		4.5 m	kg	*3400	3350	*5200	4000	*5850	*5850										
		3.0 m	kg	*3450	3000	*5650	3900	*7100	5800										
		1.5 m	kg	*3700	2850		5500	3750	*8300	5500									
		0.0 m	kg	*4150	2900		5400	3650	8250	5300									
	2600 mm	-1.5 m	kg	4700	3200		5350	3600	8200	5250	*11400	9600							
		-3.0 m	kg	*5450	4050				*7250	5350	*10050	9750							
		-4.5 m	kg																
		7.5 m	kg	*3400	*3400														
		6.0 m	kg	*3000	*3000		*3950	*3950											
		4.5 m	kg	*2900	*2900		*4950	4100	*5500	*5500									
	2900 mm	3.0 m	kg	*3000	2850	*3000	2850	*5450	3950	*6750	5900	*10250	*10250						
		1.5 m	kg	*3200	2750	4000	2800	5550	3800	*8050	5550								
		0.0 m	kg	*3600	2800			5400	3650	8300	5350	*6950	*6950						
		-1.5 m	kg	*4400	3050			5350	3600	8200	5300	*11100	9550	*6500	*6500				
		-3.0 m	kg	*5450	3700					*7700	5300	*10800	9700	*10950	*10950				
		-4.5 m	kg	*5050	*5050							*7300	*7300						

\* Load is limited by hydraulic capacity rather than tipping.  
 Ratings are based on SAE Standard No. J1097.  
 Rated loads do not exceed 87% of hydraulic lift capacity or 75% of tipping load.  
 When lifting with additional equipment installed to the arm, please subtract the weight of all additional equipment from the values stated.



## Two-piece boom

Arm length	A	7.5 m		6.0 m		4.5 m		3.0 m		1.5 m	
		Rating over front	Rating over side	Rating over front	Rating over side	Rating over front	Rating over side	Rating over front	Rating over side	Rating over front	Rating over side



- A – Reach from swing center
- B – Bucket hook height
- C – Lifting capacities, including bucket linkage and bucket cylinder: 237 kg

- Rating over front
- Rating over side
- Rating at maximum reach

Standard counterweight 500 mm shoes With blade up			2250 mm		2600 mm		2900 mm	
			Rating over front	Rating over side	Rating over front	Rating over side	Rating over front	Rating over side
	7.5 m	kg	*4250	*4250				
	6.0 m	kg	*3600	*3600			*6350	6000
	4.5 m	kg	*3450	3100			5500	3700
	3.0 m	kg	*3450	2750			5350	3600
	1.5 m	kg	*3650	2600			5150	3400
	0.0 m	kg	4000	2650			5050	3300
	-1.5 m	kg	4450	2950			5000	3300
	-3.0 m	kg					7650	4800
	-4.5 m	kg					4800	*10300
							8750	8750
	7.5 m	kg	*3450	*3450				
	6.0 m	kg	*3050	*3050			*3850	3850
	4.5 m	kg	*2950	*2950			5600	3800
	3.0 m	kg	*2950	2600			5600	3800
	1.5 m	kg	*3150	2500			*6600	5900
	0.0 m	kg	*3550	2550			5400	3650
	-1.5 m	kg	4150	2800			8500	5500
	-3.0 m	kg					5500	*14850
	-4.5 m	kg					10050	10050
	7.5 m	kg	*2950	*2950				
	6.0 m	kg	*2650	*2650			*4100	3900
	4.5 m	kg	*2550	*2550			*5150	3800
	3.0 m	kg	*2550	2450			*5550	*5550
	1.5 m	kg	*2700	2300			5600	5600
	0.0 m	kg	*3000	2350			8600	5600
	-1.5 m	kg	*3550	2550			5600	5600
	-3.0 m	kg	*4000	3050			*14000	10300
	-4.5 m	kg					10300	10300

Heavy counterweight 500 mm shoes With blade up			2250 mm		2600 mm		2900 mm	
			Rating over front	Rating over side	Rating over front	Rating over side	Rating over front	Rating over side
	7.5 m	kg	*4250	*4250				
	6.0 m	kg	*3600	*3600			*6350	*6350
	4.5 m	kg	*3450	3300			5800	3950
	3.0 m	kg	*3450	2950			*7800	6150
	1.5 m	kg	*3650	2800			8400	*8400
	0.0 m	kg	*4100	2850			8850	5750
	-1.5 m	kg	4750	3200			5650	3850
	-3.0 m	kg					8850	5750
	-4.5 m	kg					5400	5400
	7.5 m	kg	*3450	*3450				
	6.0 m	kg	*3050	*3050			*6350	*6350
	4.5 m	kg	*2950	*2950			5700	4050
	3.0 m	kg	*2950	2800			*6600	6250
	1.5 m	kg	*3150	2700			5700	4050
	0.0 m	kg	*3550	2750			5900	5900
	-1.5 m	kg	*4250	3000			*14850	10700
	-3.0 m	kg					10700	10700
	-4.5 m	kg					5200	5200
	7.5 m	kg	*2950	*2950				
	6.0 m	kg	*2650	*2650			*4400	*4400
	4.5 m	kg	*2550	*2550			*5150	4050
	3.0 m	kg	*2550	*2550			*5550	*5550
	1.5 m	kg	*2700	2500			5550	5550
	0.0 m	kg	*3000	2550			9100	5950
	-1.5 m	kg	*3550	2750			5950	5950
	-3.0 m	kg	*4000	3300			*14000	10950
	-4.5 m	kg					10950	10950

\* Load is limited by hydraulic capacity rather than tipping.

Ratings are based on SAE Standard No. J1097.

Rated loads do not exceed 87% of hydraulic lift capacity or 75% of tipping load.

When lifting with additional equipment installed to the arm, please subtract the weight of all additional equipment from the values stated.

## Standard and optional equipment

### Engine

Komatsu SAA4D107E-5 turbocharged common rail direct injection diesel engine	●
EU Stage V compliant	●
Suction type cooling fan with radiator fly screen	●
Automatic engine warm-up system	●
Engine overheat prevention system	●
Fuel control dial	●
Auto-deceleration function	●
Adjustable idle shutdown	●
Engine key stop	●
Engine ignition can be password secured on request	●
Alternator 24 V / 85 A	●
Starter motor 24 V / 4.5 kW	●
Batteries 2 × 12 V / 110 Ah	●

### Hydraulic system

Electronic closed-centre load sensing (E-CLSS) hydraulic system (HydraMind)	●
Pump and engine mutual control (PEMC) system	●
6-working mode selection system; Power mode, Economy mode, Breaker mode, Attachment Power and Attachment Economy mode, and Lifting/Fine Operation mode	●
PowerMax function	●
PPC wrist control levers for arm, boom, bucket and swing, with sliding proportional control for attachments and auxiliary buttons	●
Prepared for hydraulic quick-coupler	●
Komatsu Integrated Attachment Control (KIAC)	○
Additional hydraulic functions	○

### Undercarriage

Track roller guards	●
Track frame under-guards	●
LC undercarriage	●
500, 600, 700, 800 mm triple grouser shoes	○
600 mm road-liner shoes	○
Low Ground Pressure (LGP) undercarriage with 1400 mm triple grouser shoes	○
2490 mm dozer blade (with 500 mm shoes)	○
2795 mm dozer blade (with 800 mm shoes)	○

### Drives and brakes

Hydrostatic, 2-speed travel system with automatic shift and planetary gear type final drives, and hydraulic travel and parking brakes	●
PPC control levers and pedals for steering and travel	●

### Cabin

Reinforced safety SpaceCab™; highly pressurised and tightly sealed hyper viscous mounted cab with tinted safety glass windows, large roof window with sun shade, pull-up type front window with locking device, removable lower window, front window wiper with intermittent feature, cigarette lighter, ashtray, luggage shelf, floor mat	●
Heated, high-back air-suspended seat with lumbar support, console mounted height adjustable arm rests, and retractable seat belt	●
Automatic climate control system	●
12 / 24 Volt power supplies	●
Beverage holder and magazine rack	●
Hot and cool box	●
Radio (AM/FM)	●
Auxiliary input (MP3 jack)	●
Rain visor (not with OPG)	●
Sun roller blind	●
Lower wiper	○
DAB+ digital radio w. auxiliary input (MP3 jack)	○

### Service and maintenance

Automatic fuel line de-aeration	●
Double element type air cleaner with dust indicator and auto dust evacuator	●
Komtrax – Komatsu wireless monitoring system (4G)	●
Komatsu Care – a maintenance program for Komatsu customers	●
Multifunction video compatible colour monitor with Equipment Management and Monitoring System (EMMS) and efficiency guidance	●
Toolkit	●
Service points	●
Automatic greasing system	○

### Safety equipment

KomVision surround view system	●
Electric horn	●
Overload warning device	●
Audible travel alarm	●
Boom safety valves	●
Large handrails, rear-view mirrors	●
Battery main switch	●
ROPS compliant to ISO 12117-2:2008	●
Emergency engine stop switch	●
Seat belt caution indicator	●
Neutral position detection system	●
Arm safety valve	●
OPG Level II front guard (FOPS), hinged type	○
OPG Level II front guard (FOPS)	○

## LED lighting system

Working lights: 2 revolving frame, 1 boom (l.h.)	●
Additional working lights (#1): 2 cab roof (front), 1 cab roof (rear), 1 boom (r.h.), 1 counterweight, beacon	○
Additional working lights (#2): 4 cab roof (front), 1 cab roof (rear), 1 boom (r.h.), 1 counterweight, 2 boom cylinders, 2 revolving frame (l.h. + r.h.), beacon	○

## Work equipment

Mono boom	○
Two-piece boom	○
2.25 m; 2.6 m; 2.9 m arms	○
Bucket linkage with lifting eye	○
Komatsu buckets	○
Komatsu breakers	○

## Other equipment

Standard counterweight (2750 kg)	●
Remote greasing for swing circle and pins	●
Electric refuelling pump with automatic shut-off function	●
Heavy counterweight (3250 kg)	○
Biodegradable oil for hydraulic system	○
Customised paint	○

Further equipment on request

- standard equipment
- optional equipment



A wide range of buckets and attachments is available. Your Komatsu distributor is ready to assist you with the selection of suitable options.

This specification sheet may contain attachments and optional equipment that are not available in your area. Please consult your local Komatsu distributor for those items you may require. Materials and specifications are subject to change without notice.

---

Your Komatsu partner:

**KOMATSU**

[komatsu.eu](https://www.komatsu.eu)

